

Miele
PROFESSIONAL

G 8050 semi-commercial dishwasher

For office facilities
Retail showrooms
Common rooms
Day centres



The professional solution for light duty washing up

G 8050/G 8050 U

Miele dishwashers provide a high capacity professional solution for a variety of applications. The two wash levels offer generous space for cutlery, crockery, glasses, mugs and trays.



The new Miele Professional G 8050 semi-commercial dishwasher is the ideal choice for applications where wash quality and hygiene are paramount but programme speed and throughput are secondary. Available freestanding (G 8050) or built under (G 8050 U), it fits into a 600 mm wide niche and can be fitted with a decor panel to blend in with kitchen furniture. For particularly high standards of hygiene, the user-friendly features include the option of a high temperature programme with a main wash at 75°C. In programmes, the rinse temperature can also be increased to 85°C, when required, thereby providing a high level of cross infection control. Installation is simple and, once in use, staff are freed up from time consuming washing up duties for other tasks. Very thorough, very efficient. Very Miele.



Controls/Programmes

- NOVOTRONIC controls
- 6 programmes
- 24 h delay start
- Water intake via flowmeter
- Rinse water temperature for crockery programmes selectable 65°C to 85°C

Construction

- Post and panel space frame assembly for easy service access

Interface

- Optical interface for servicing

Electrical connection

- 230 V 50 Hz 13 A
- 1.8 m mains cable with moulded 13 A plug

Plumbing

- WRAS approved product
- Single inlet hose for cold or hot water (max. 60°C) 1–10 bar pressure
- Drain pump DN 22; delivery head: 100 cm; max drainage length: 400 cm

Safety features

- Child proof door lock
- Spray arm control
- Waterproof system to avoid leaks
- Salt and rinse aid indicator lights



Cleaning technology

- Hygienic fresh water system with change of water after every wash stage
- Three spray arms for intensive cleaning

Features

- 2 wash levels, height adjustable upper basket and cutlery basket
- Lower basket, empty, to take various inserts incl. 2 x 3/4 width inserts for plates, cups and saucers
- Circulation pump, Qmax. 180 l/min
- Water softener up to 70° d/h
- Triple filter with wide area filter, coarse filter and micro-fine filter

- Drain pump

Additional equipment

- DOS G60 external dispenser module for liquid detergent

Dimensions H/W/D (mm)

- G 8050: 850/600/600
- G 8050 U: 820/600/600

External finish

- G 8050 freestanding, white casing, plastic lid
- G 8050 U built under without lid, white casing with adjustable plinth recess of 30 to 105 mm
- Decor frames to take decor panel (optional)

The Miele system solution for the workplace

Wash programmes for the daily coffee break



Accessory: Insert GTLU 32 for 32 cm wide plates



Accessory: Insert GGU for tall glasses



Having a break for a cup of coffee and a snack is an important part of the daily routine in any work situation. Employees, visitors and customers alike appreciate the advantages of drinking from glass and china as opposed to plastic or paper cups. Of course, the number of used cups, plates and glasses mounts up after every break or meeting – enough for several wash loads.

The new Miele semi-commercial G 8050 dishwasher offers the perfect solution for dealing with workplace crockery quickly and thoroughly. With special programmes and adjustable temperatures, a variety of items can be washed hygienically ensuring that any risk of cross contamination is minimised. The large wash chamber with height adjustable upper basket can hold 10–12 place settings. 6 wash programmes ensure gleaming glasses, cutlery and crockery. Detergent can be dispensed economically via an external dispenser module.

Mini 55°C

For normally soiled crockery

Midi 65°C

A higher wash temperature for more stubborn soiling

Maxi 75°C

For the most heavily soiled items

Glassware 50°C

Special programme for glasses with a lower wash temperature

Beer glasses 50°C

Special programme for beer glasses (without rinse aid)

Cold

For rinsing off heavily soiled items (eg to remove soiling and prevent drying on while waiting for a full load to accumulate).

The compact dimensions and ease of installation make this dishwasher ideal for small kitchens. It is available as a free-standing model or built under version with a depth adjustable plinth for perfect integration into a run of kitchen units. And when combined with the Miele built-in coffee machine, it can make daily life in the office even more pleasant and easy.

Miele Company Limited
Fairacres, Marcham Road, Abingdon Oxon
OX14 1TW

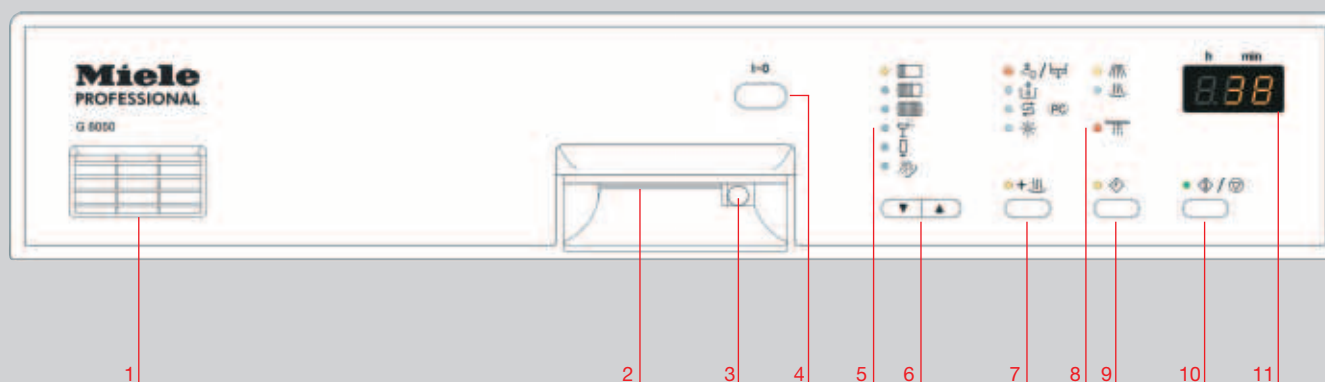
For dealer information and brochures
Telephone 01235 554455
Fax 01235 554477

www.miele-professional.co.uk
info@miele.co.uk

Consumption data



G 8050 Programme	Parameter Main wash / Rinse °C / °C	Water intake	Cold water connection				Hot water connection			
			Energy kWh	Duration min	Drying energy kWh	Drying duration min	Energy kWh	Duration min	Drying energy kWh	Drying duration min
Mini	55 / 65	15	1.2	38	0.05	13	0.4	23	0.05	13
Mini	55 / 85	15	1.7	49	0.05	13	0.9	33	0.05	13
Midi	65 / 65	15	1.4	52	0.05	18	0.6	36	0.05	18
Midi	65 / 85	15	1.9	62	0.05	18	1.1	45	0.05	18
Maxi	75 / 65	20	1.6	64	0.05	18	0.6	47	0.05	18
Maxi	75 / 85	20	2.1	75	0.05	18	1.1	57	0.05	18
Glassware	50 / 50	15	0.9	32	0.05	18	0.2	19	0.05	18
Beer glasses	50 / cold water	15	0.6	25	0.05	18	-	-	-	-
Cold	-	5.5	0.03	12	-	-	-	-	-	-



Dishwasher G 8050/G 8050 U

- | | |
|--|--|
| <ul style="list-style-type: none"> 1 Turbothermic drying 2 Open door 3 Door lock with mechanical child safety lock 4 On/off button 5 Selected programme indicator | <ul style="list-style-type: none"> 6 Programme selector button for 6 programmes 7 Button to increase drying time up to 20 mins. 8 Programme sequence indicator/service and fault indicator lights 9 Delay start button up to 24 hours 10 Start/stop button 11 Display with delay start/time left indicator |
|--|--|